



PRODUCT DETAILS

The NXT BiANCO Ferro60 is a cast iron jet pump with an internal venturi which enables water to be drawn from below ground level.

Equally comfortable pumping from a tank, boosting low pressure water supply or working in conjunction with a rainwater changeover device.

Supplied with a pre-wired NXT CORE digital electronic pressure controller connect the inlet and outlet pipes, fill the pump with water and you're ready to go.

APPLICATIONS

- Household water supply
- Light garden irrigation
- Water transfer
- Washing systems
- Pressure boosting

FEATURES

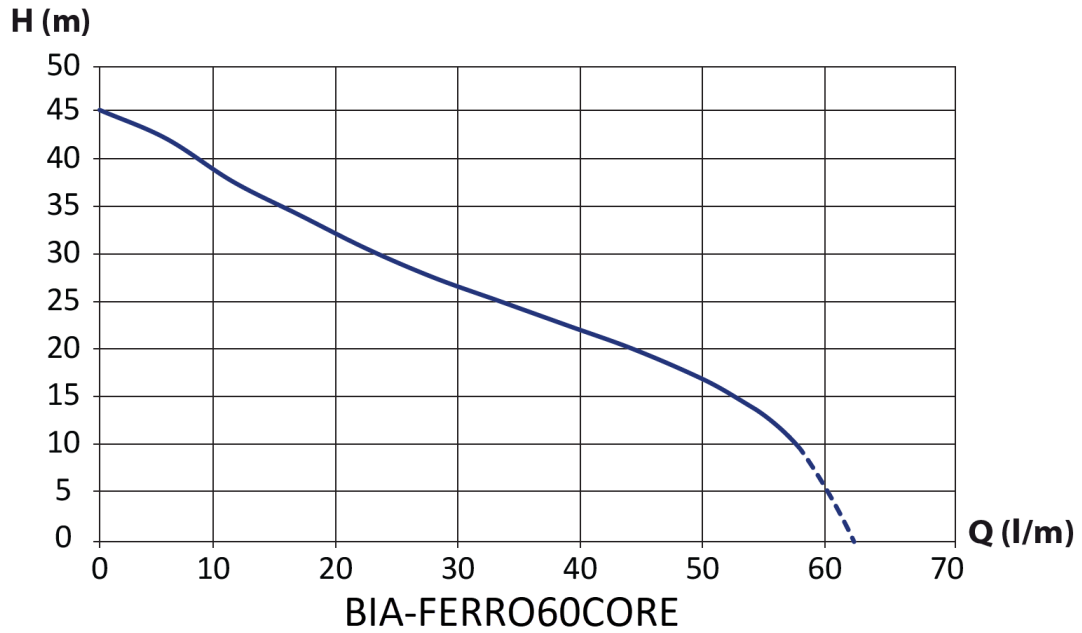
- Pump controller pre-set to start once the pressure falls below 2.2bar. Button press user adjustment of start pressure
- Corrosion resistant pump body, diffuser and impeller to ensure pump durability
- High quality bearings and mechanical shaft seal
- 240V single phase TEFC motor with in-built auto reset thermal overload to prevent the pump from overheating
- Automatic pump starting, stopping and restart after power loss and/or water loss
- Inbuilt dry-run protection

TECHNICAL DATA

OUTPUT POWER (KW)	0.6kW P2
MAX. HEAD [M]	45M
MAX. FLOW L/MIN	62 l/min
MAX PRESSURE	Pump: 8 bar, Controller 10 bar
LIQUID TEMPERATURE	2 - 40 deg C
MOTOR	Asynchronous TEFC
MOTOR INSULATION	F Class insulation
MOTOR PROTECTION	In-built thermal overload
PROTECTION CLASS	IP45
PRESSURE TANK	0.3 litre controller volume 3, 8 or 18 litre recommended

RATED VOLTAGE	220 - 240V 1Ph 50 Hz
RATED CURRENT	4.5A
CAPACITOR	12uF 450V
POWER CABLE	1.2m long 10 amp rated H05 flex 10 amp 3 pin plug
AUTOMATIC OPERATION	Yes - NXT CORE
PUMP BODY	Cast Iron HT200
INTERNALS	Composite impeller / diffusers
MECHANICAL SEAL	Silicon Carbide/Carbon
PACKAGE DIMENSION	455 x 458 x 216
GROSS WEIGHT (KG)	18kg

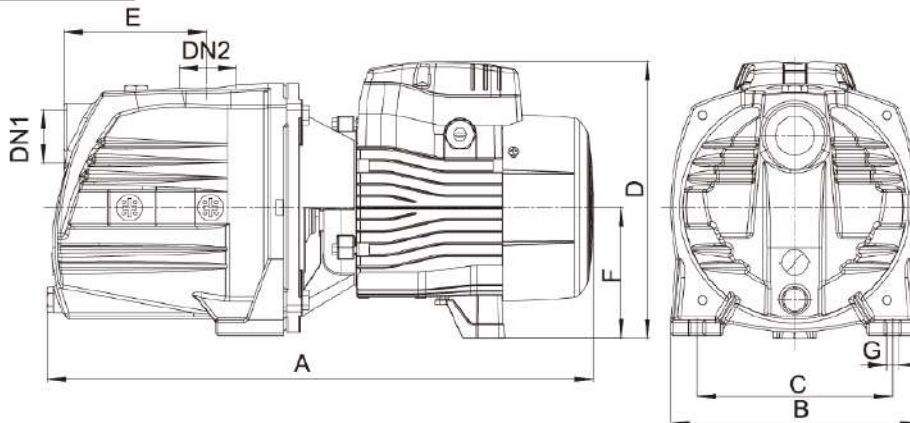
CURVE



DIMENSIONS

Height incl Controller

Approx 190mm



Model	DN1	DN2	A(mm)	B (mm)	C (mm)	D(mm)	E(mm)	F(mm)	G(mm)
FERRO 60	G1	G1	418	190	150	212	113	100	10

WARRANTY / CERTIFICATIONS

